



The Australian designed and assembled, **Autoflo Wall Spout & Soap Dispenser Ensemble - Mains Power** is suitable for a range of hand-washing applications, particularly in high-end public commercial areas that experience high traffic and therefore high usage, meaning conservation of water is of paramount importance. The 6-star WELS rating ensures hygienic bathroom environments for users, delivered economically and in an environmentally sensitive fashion. The sensor activation of both soap dispenser and tap outlet means the user has no need to touch fixtures, eliminating any potential cross-contamination.

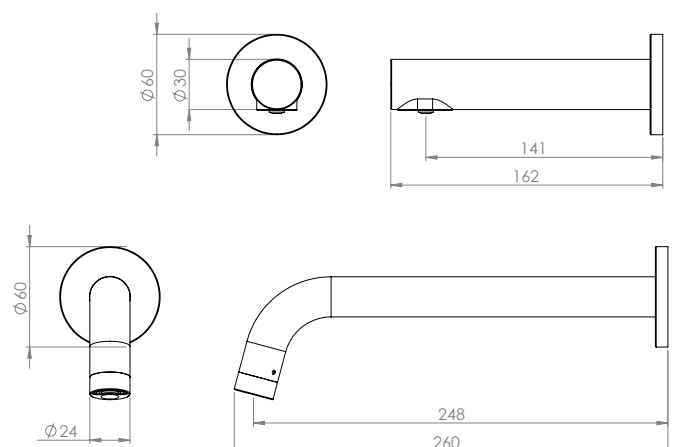
The robust construction is complemented with an array of features ensuring consistent performance. The ability to self-range to its environment, the smart washing feature, and in particular, a longer than usual sensor tap- ensuring the outlet is positioned well over the basin, are some of what sets this ensemble apart from anything else on the market.

Elevate your public bathroom areas with the refined **Autoflo Wall Spout & Soap Dispenser Ensemble**.

FEATURES

- Operating range self initialisation
- Direct from the bottle soap dispensing for ease of maintenance
- Economical water usage through multiple flow controllers
- Extra long spout suitable for modern basins
- Dual stage water filters to avoid solenoid blockages
- Cleaning function with 60 second disable

TYPICAL DIMENSIONS



Every effort is made to ensure specifications are correct at the time of printing. Autoflo Pty Ltd reserves the right to make changes without prior notice. All measurements shown are in millimetres.





TECHNICAL SPECIFICATIONS

100-0113LF- CHROME
100-0114LF- GUNMETAL

- TAP BODY- Solid Brass Low Lead, available in Chrome or Gunmetal
- OPERATING SUPPLY- 9V Power Supply
- OPERATING PRESSURE- 50 to 500kPa
- RUN TIME- Continuous 2 minutes max.
- FLOW RATING- WELS 6 Star 3.5L/min
- SOLENOID- Latching/soft closing, brass body
- MAX TEMPERATURE- 50°

TECHNICAL SPECIFICATIONS

100-0112- CHROME
100-0115- GUNMETAL

- OUTLET BODY- Solid Brass, available in Chrome or Gunmetal
- OPERATING SUPPLY- 6V Power Supply
- PRIMING FUNCTION- Button on control box
- DISPENSE TIME- 1-2 Seconds
- SOAP SUPPLY- 1L or 5L bottle
- PUMP TYPE- Peristaltic
- RECOMMENDED VISCOSITY- 2000 MPa

TYPICAL INSTALLATION

